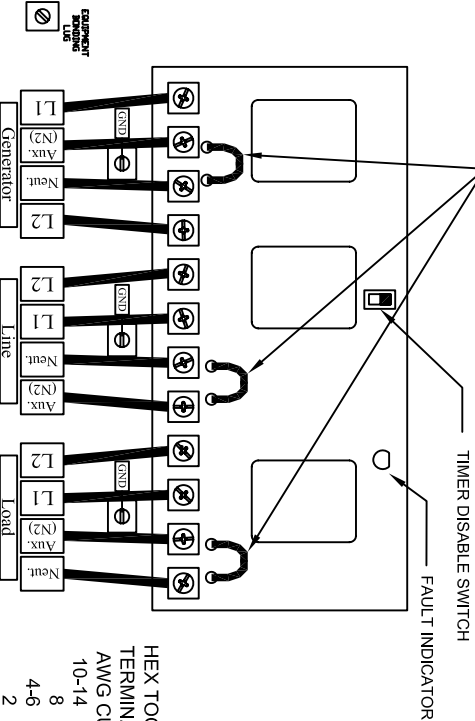


This Automatic Line/Generator switch is rated for use on a circuit capable of delivering not more than 5000 RMS symmetrical amperes. 240 VAC MAX
 Operating Ambient 35°C Max. All field wire terminals - CU 2-14
 Equipment Ground: All GND terminals - CU 6-14

Note: Cut jumper "NJ1", "NJ2" & "NJ3" wires ONLY if 35A neutral capacity and 35A Auxiliary capability is required. Cut jumpers directly above jumper wire terminals.



FAULT INDICATOR: The fault indicator LED is to aid in trouble-shooting the ATS 501. The indicator comes on when the circuitry indicates a fault in the system such as a relay failure. If the ATS 501 is in the generator mode when a fault occurs, all relays are forced back to shoreline connections and the fault indicator comes on. If a fault is detected prior to switching the fault indicator will come on and the unit will not switch. In the event that the fault indicator comes on do the following: Turn off the generator or auxiliary power supply for a **minimum of 1 minute**. After 1 minute turn on the auxiliary power supply. If the fault indicator comes back on, repeat the above steps. If the fault light comes on 3 or more times consecutively contact a reputable RV service center.

TIMER DISABLE SWITCH: The timer disable switch is provided for applications where the typical 30 second delay before switching to the auxiliary power supply is not desired such as when an inverter is used. When the switch handle is toward the "E" on the board the timer is **ENABLED**. When the switch handle is toward the "D" on the board the timer is **DISABLED**.

IT IS NOT RECOMMENDED TO DISABLE THE TIMER WHEN USING A GENERATOR AS AN AUXILIARY POWER SUPPLY!

HEX TOOL SIZE: 5/32"
 TERMINAL TORQUE RATINGS:
 AWG CU INCH-POUNDS

10-14	35
8	40
4-6	45
2	50

PARALLAX
POWER SUPPLY

A Division of Connecticut Electric Inc.