

NOTES:

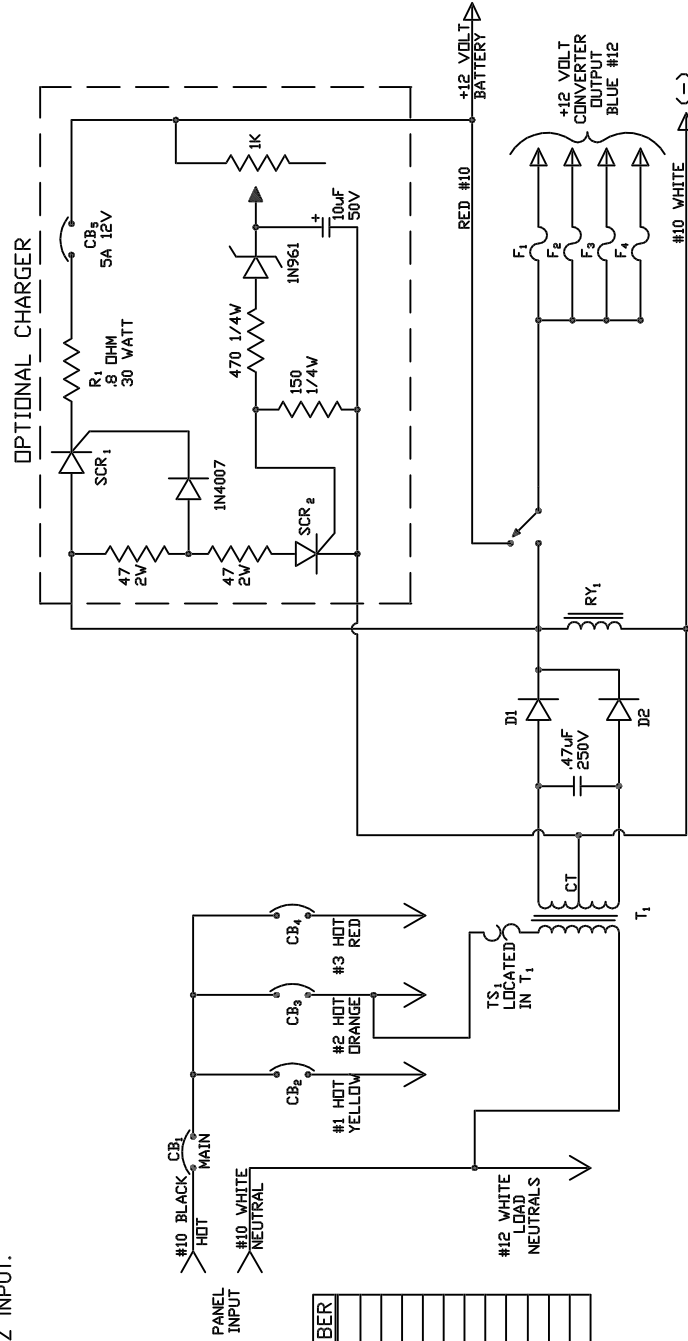
1. F1-F4 NOT SUPPLIED FROM FACTORY.
2. SCR1 LOCATED ON HEATSINK WITH D1-D2.
3. MODELS WITH J SUFFIX ARE RATED FOR 100VAC 50HZ INPUT. MODELS WITH E SUFFIX ARE RATED FOR 230VAC 50HZ INPUT. MODELS WITH NO SUFFIX ARE RATED FOR 120VAC 60HZ INPUT.
4. OPTION CODES:

OPTION CODE	CB1	CB2	CB3	CB4
N	30A	-	20A	20A
M	30A	-	15A	20A
D	30A	15A	15A	20A
K	-	-	20A	20A
H	-	-	15A	15A
O	-	-	15A	20A
R	30A	15A	20A	20A
C*	OPTIONAL CHARGER			

* OPTIONAL ON 6620, STANDARD ON 6626

5. REFERENCE DESIGNATORS:

REF. DESIGNATOR	MAGNETEK PART NUMBER
CB5	20506829
SCR1	18526667
SCR2	18526028
RY1	20516598
T1 (J SERIES)	643P18
T1 (E SERIES)	643P19
T1 (STANDARD)	M91500058
D1-D2	18506004A
R1	16509040
TS1 (FOR 6620,6620J,6620E)	91500219
TS1 (FOR 6626)	91500217
CHARGER BOARD	91500261



REV. A	RELEASED	CHANGE	DATE	DWN BY K. YOUNG	9/23/96
				DES. ENG.	
				QUALITY	
				MFG. ENG.	
				RELSE	

UNLESS OTHERWISE SPECIFIED DIMENSIONS ARE IN INCHES:
TOLERANCES
XX=±.01
X/XX=±1/64
.XXX=±.005

THIS DRAWING CONTAINS INFORMATION PROPRIETARY TO MAGNETEK. ANY REPRODUCTION, DISCLOSURE OR USE OF THIS DRAWING IS EXPRESSLY PROHIBITED EXCEPT AS MAGNETEK MAY OTHERWISE AGREE IN WRITING.

Magnetek

TITLE SCHEMATIC
MODELS 6620/6626

SIZE B THIRD ANGLE PROJECTION DWG NO. 93001111-000

SCALE NONE SHEET SHEET 1 OF 1