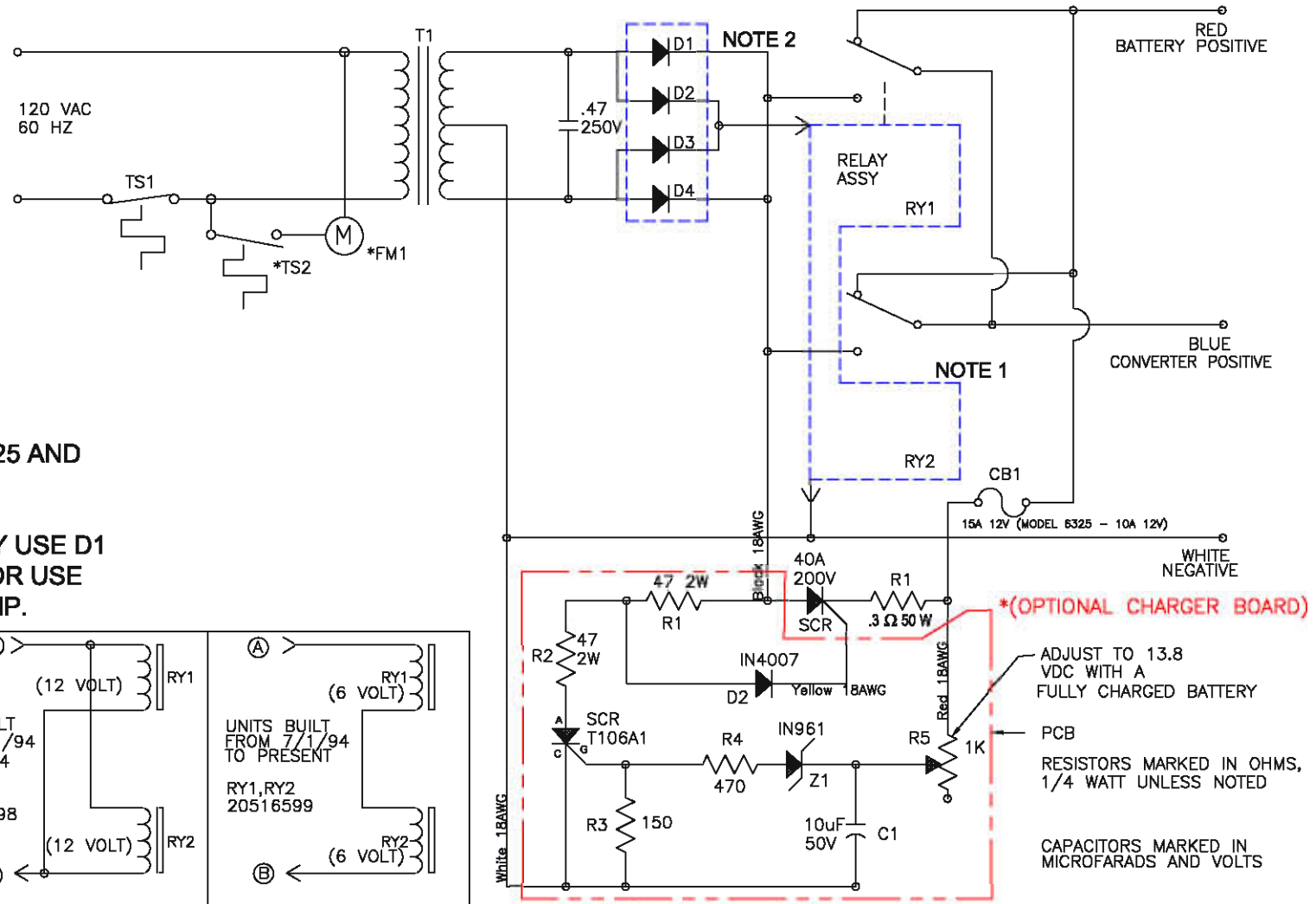


DWG. NO.  
6300 SCH



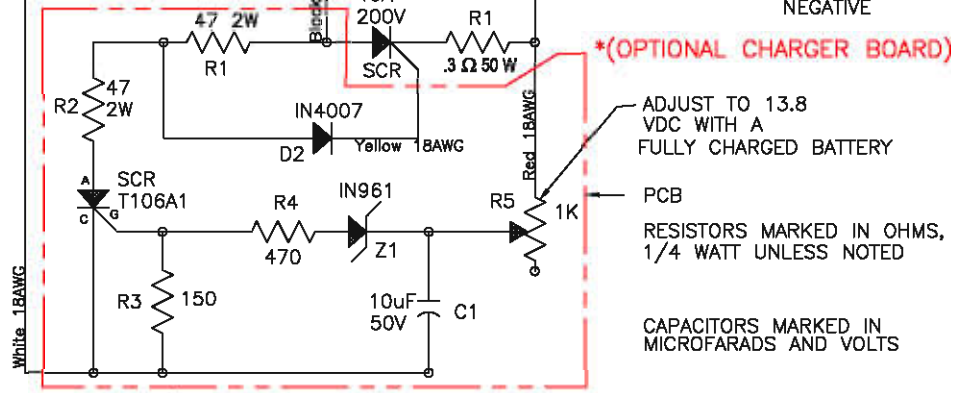
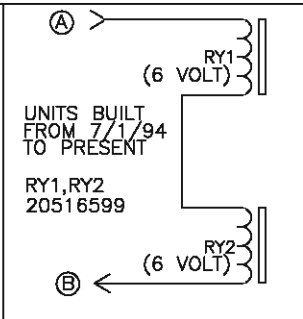
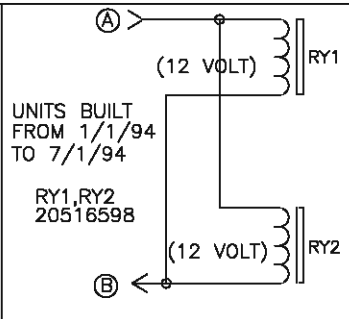
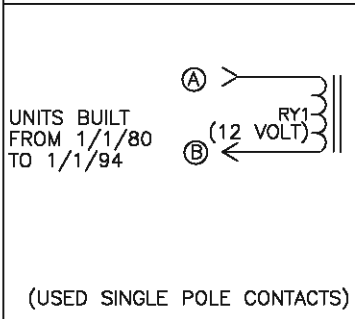
NOTES:

\* NOT USED IN MODEL 6325

1. SEE CHART BELOW.

2. D1,D4 USED ON MODELS 6325 AND 6325.

3. MODELS 6350,6345,6336 MAY USE D1 THROUGH D4 RATED 25 AMP OR USE D1 AND D4 ONLY RATED 50 AMP.

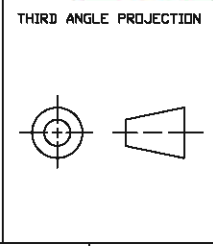


REV.	CHANGE	DATE
A	RELEASED	1/25/94
B	REVISED RMA	12/20/94
C	REVISED WRW	7/26/01

UNLESS OTHERWISE SPECIFIED DIMENSIONS ARE IN INCHES.

TOLERANCES  
 X/X=#1/64    .XX=#.01  
 .XXX=#.005    <math>\angle</math>=#0° 30'

THIS DRAWING CONTAINS INFORMATION PROPRIETARY TO MAGNETEK. ANY REPRODUCTION, DISCLOSURE OR USE OF THIS DRAWING IS EXPRESSLY PROHIBITED EXCEPT AS MAGNETEK MAY OTHERWISE AGREE IN WRITING.



MATERIAL  
NONE

FINISH  
NONE

PARALLAX POWER COMPONENTS L.L.C.

112 E. UNION ST.  
GOODLAND, IN 47948

DWN BY <i>R. Barnes</i>	SCALE NONE	TITLE 6300	SIZE A	DRAWING NO. 6300 SCH
CHK BY	DATE 7/26/01	SCHEMATIC		
APVD BY				